



TS4-A-O

Module-level PV Optimizer

The TS4-A-O (Optimization) is the advanced add-on optimization solution that brings smart module functionality to standard PV modules for higher reliability. Improve energy efficiency by upgrading underperforming PV systems or adding smart features to new installations.

The TS4-A-O add-on supports PV modules up to 700W.

Included Features



Module-level **optimization** for increased energy yield and greater design flexibility



Manual or automatic module-level **shutdown**



Module-level **monitoring** for energy production tracking and system management

Easy Installation

Snap to standard module frame or remove brackets for rack mounting

Smart Commissioning

Configure and commission with your Android or iOS mobile device



TS4-A-O SPECIFICATIONS

Environmental

Operating Temperature Range	-40°C to +70°C (-40°F to +158°F)
Outdoor Rating	IP68
Maximum Elevation	2000m

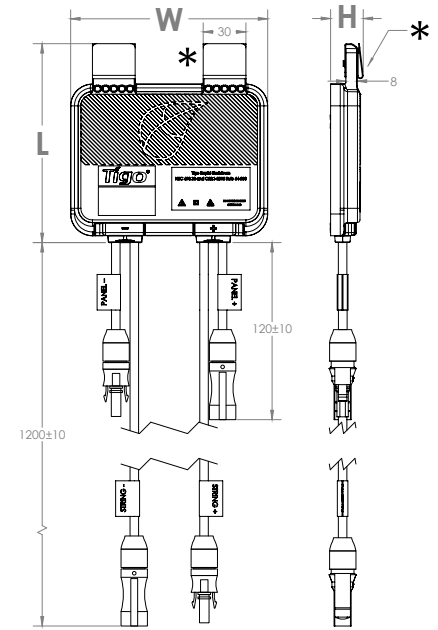
Mechanical

Dimensions	W=138.4mm, L= 139.7mm, H= 22.9mm
Weight	520g

Electrical

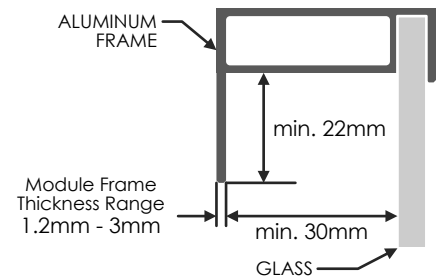
Total Max Input Voltage (V _{OC} @ Lowest Temperature)	80V
Voltage Range	16 - 80V
Maximum Current	15A
Maximum Power	700W
Output Cable Length	1.2m (standard)
Connectors	MC4, EVO2
Communication Type	Wireless
Recommended Fuse Rating	30A

TAP required for module-level shutdown and CCA required for monitoring with TS4-A-O.



*Clips can be removed for rack mounting

Module frame specifications for mounting TS4-A



ORDERING INFORMATION

Part Number	Description
461-00252-32	1000V TÜV, 1.2m cable, MC4
461-00261-32	1500V TÜV, 1.2m cable, EVO2

For sales info:

sales@tigoenergy.com

For product info:

Visit tigoenergy.com/products

For technical info:

Visit support.tigoenergy.com

For additional info and product selection assistance, use Tigo's online design tool at tigoenergy.com/design

